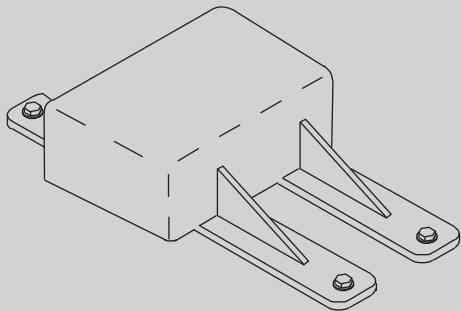


9510 Control



PRE-9510 Control

9510 Control Operation Guide

Operation of the Kwikkee's IMGL (integrated motor/gear box/linkage) step system is controlled by a 9510 Control Unit (short for the part number, 909510000.) The 9510 Control is very similar to Pre-9510 Controls with one basic difference:

The 9510 Controlled step can only be locked in the fully extended position.

Under normal operation the step *cannot be locked in the retracted position.* The only way the step could actually be locked in the retracted position would be if the step was retracted and then physically disconnected from the power source of the coach.

Normal understep light operation with the 9510 Control also includes a new feature. When the door is opened, the step extends and the understep light comes on. ***Under normal operation, when the door is left open, the understep light will go off after 5 minutes.***

Normal operation is considered the 'default mode.' The step can also be put in 'override mode' by turning 'on' the override switch (called 'power switch' on pre-9510 Controls.)

Override Mode

Override Mode is activated by turning the Override Switch 'ON.'
This causes the step to extend and stay extended the first time the door is opened after the switch is turned 'on.'

Override switch ON Activates Override Mode until switch is turned 'off' or ignition is sensed.

Override switch OFF Cancels Override Mode and returns system to Default Mode (normal operation.)

Ignition sensed Cancels Override Mode and returns the system to Default Mode (normal operation.)

During Default Mode

Step follows door Door closed/step retracted.
Door open/step extended.

Understep light follows step Step retracted/light 'off.'
Step extended/light 'on.'
Step extended and door left open, understep light goes 'off' after 5 minutes

During Override Mode

Door open Step extended.
Door closed Step extended.

Understep light follows door Door closed/understep light 'off.'
Door open/understep light 'on' and stays 'on' even after 5 minutes while in override mode.