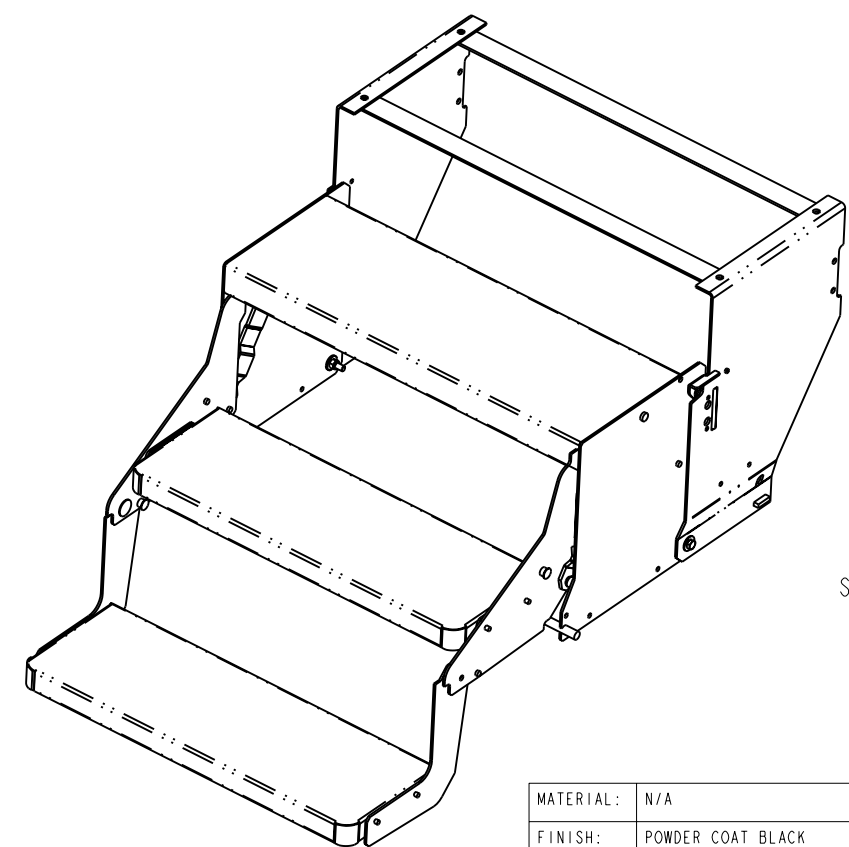


BILL OF MATERIAL						
Index	Part #	Description	QTY	UofM	Weight	Notes
1	1203440	BOLT 5/16-18 X 1-1/4 GR5 BOLT	2	EA	0.04	
2	1205930	NUT, 5/16-18 HEX	2	I	0.01	
3	1209710	WASHER 5/16 FLAT	2	EA	0.01	
4	1210560	WASHER .520X.875X.104 GOLD	2	EA	0.01	
5	1215500	RIVET, .494 X .268 - .310 X .235 SHLDR	4	EA	0.03	
6	1215720	RIVET RD.370X.157X.250X.370(1095)	1	EA	0.02	
7	1220070	STAND OFF FRAME PIVOT TRPL PLATED	2	EA	0.03	
8	3209075	MAIN FRAME ASSY W/R TM9	1	EA	20.64	SQ IN = 1087.029
9	3219072	TREAD TOP ASSY W/R TM9	1	EA	23.08	SQ IN = 1449.574
10	3219078	TREAD BOT/CNTR ASSY W/R TM9	1	EA	20.40	SQ IN = 1641.455
11	3403020	LATCH TRIPLE STEP PLATED TM9	1	EA	0.15	SQ IN = 9.54
Total Weight						

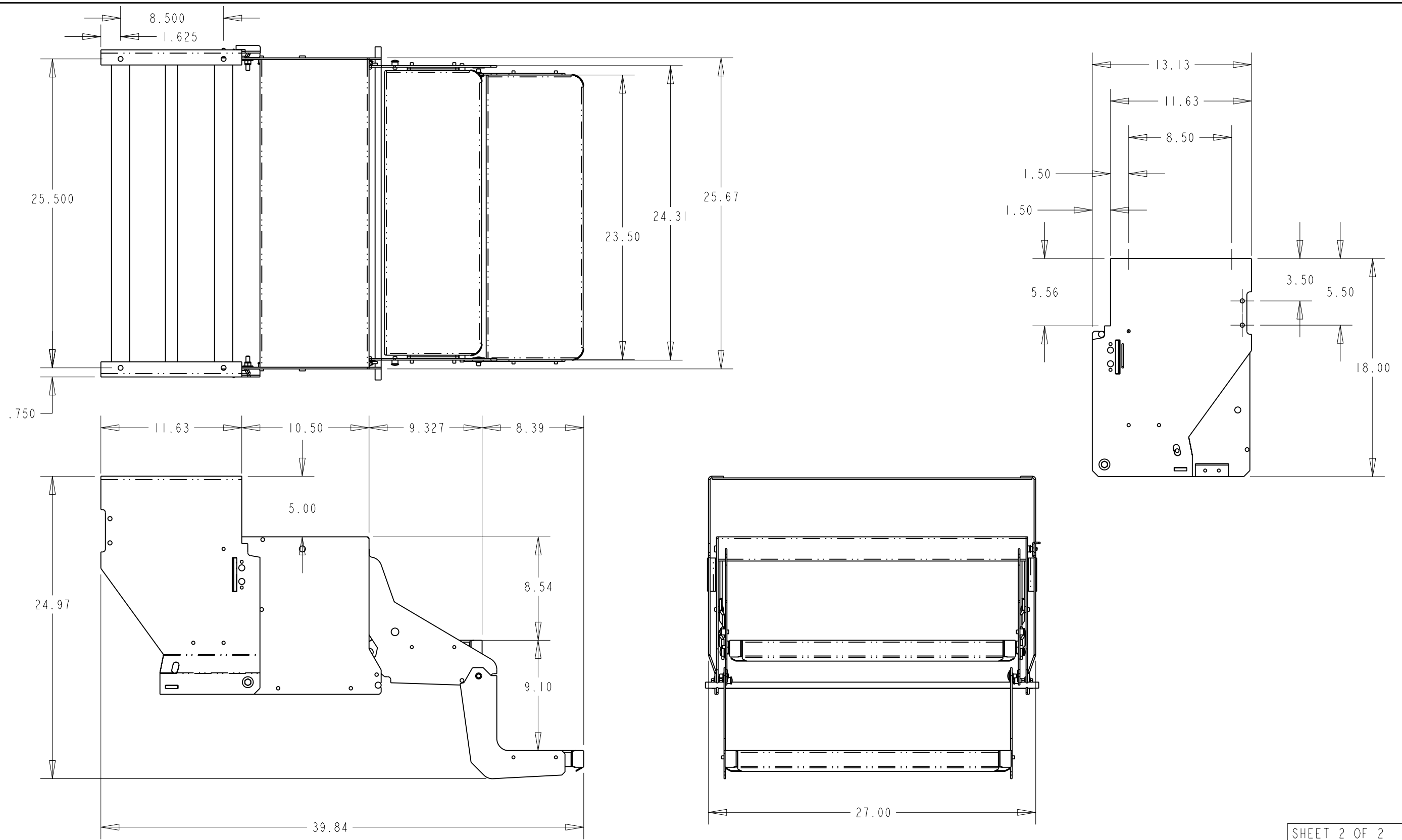


SCALE 3/32

MATERIAL:	N/A
FINISH:	POWDER COAT BLACK
WEIGHT:	64.594

SHEET 1 OF 2

UNLESS OTHERWISE SPECIFIED DIMENSIONS ARE IN INCHES. TOLERANCES ARE:				900130000	PRODUCTION	 Third Angle Projection	 Products Company Inc. 230 Davidson Ave. Cottage Grove, OR 97424
.X	±.1	.XX	±.030	Product	Release Level		
.XXX	±.010	FRACTIONS ±1/16		Application		Title STEP, MANUAL TRPL 9 IN RISER	Drawing Number: 900130000
ANGULAR ±.5°		DO NOT SCALE DRAWING		Drawn by: SMH	Scale: NTS		
2	10/27/00	ADDED VIEW FOR ASSEMBLY CLARITY	SMH	Checked by:	Date: 04-May-00	Rev	2
Revisions				900130000	900130000		



SHEET 2 OF 2

MATERIAL:	N/A
FINISH:	POWDER COAT BLACK
WEIGHT:	64.594

UNLESS OTHERWISE SPECIFIED DIMENSIONS ARE IN INCHES. TOLERANCES ARE:				900130000	PRODUCTION	 Third Angle Projection	 Products Company Inc. 230 Davidson Ave. Cottage Grove, OR 97424
.X	±.1	.XX	±.030	Product	Release Level		
.XXX	±.010	FRACTIONS ±1/16		Application		Title	Drawing Number: 900130000
ANGULAR ±.5°		DO NOT SCALE DRAWING		Drawn by: SMH	Scale: NTS	Size: B	
2	10/27/00	ADDED VIEW FOR ASSEMBLY CLARITY	SMH	Checked by:	Date: 04-May-00	Rev: 2	
Revisions				900130000	900130000		