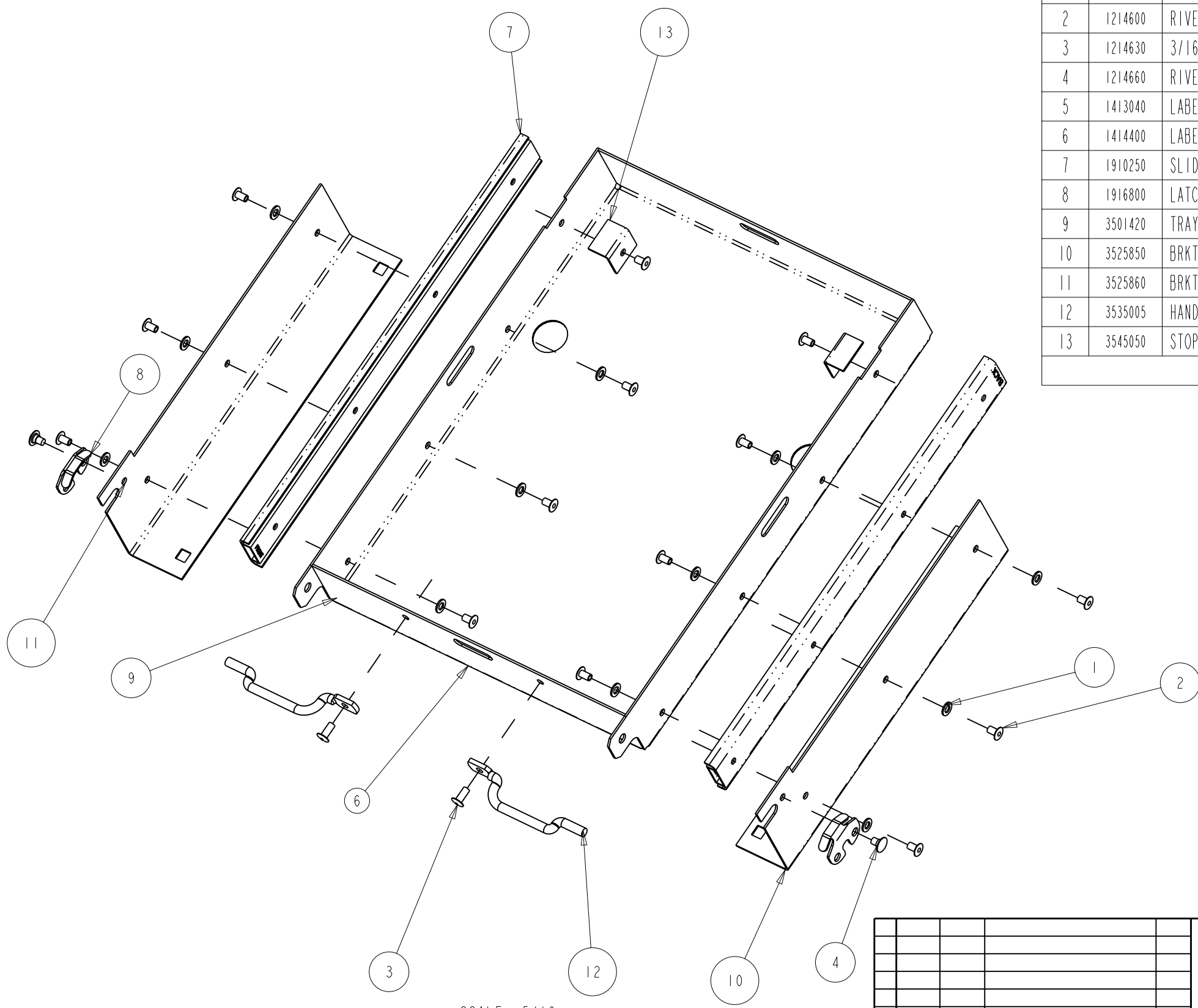


BILL OF MATERIAL

Index	Part #	Description	QTY	UofM	Weight	Notes
1	1208200	WASHER #5 FLAT	12	EA	0.00	
2	1214600	RIVET 3/16 x .125 STNLES POP (SSD-62)	14	EA	0.00	
3	1214630	3/16 x 1/4 STAINLESS POP (SSD-64)	2	EA	0.00	
4	1214660	RIVET RD .3/16 X .80SHLD X 7/32 RD HEAD	2	EA	0.02	
5	1413040	LABEL ROLL 4 X 1 7/8 #9800-214	1	EA		
6	1414400	LABEL KWIKEE LOGO SILVER	1	EA		
7	1910250	SLIDE 14 INCH ACCURIDE C204-496 REV A	2	EA	0.80	SQ IN = 92.892
8	1916800	LATCH UNIVERSAL PLATED	2	EA	0.02	SQ IN = 2.966
9	3501420	TRAY PAINTED 5731	1	EA	4.21	
10	3525850	BRKT MTG RH PAINTED 5731	1	EA		
11	3525860	BRKT MTG LH PAINTED 5731	1	EA		
12	3535005	HANDLE PLATED 5700	2	EA	0.07	SQ IN = 4.228
13	3545050	STOP 5700 PLATED	2	EA	0.02	SQ IN = 3.161
Total Weight					7.8	

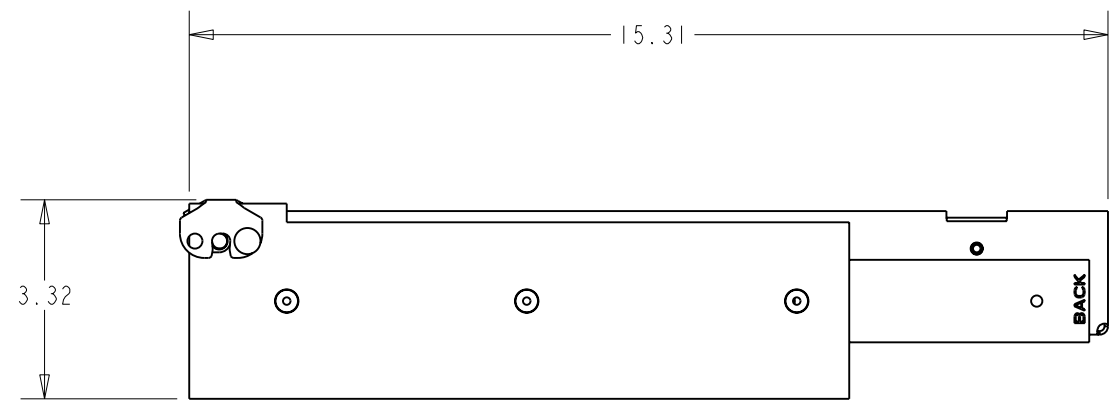
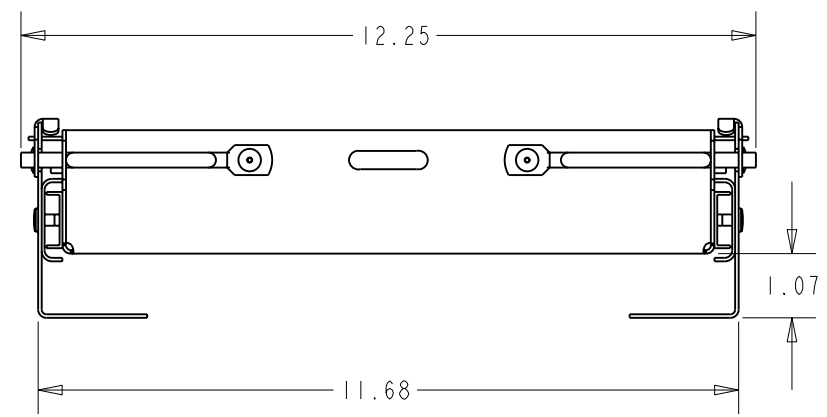
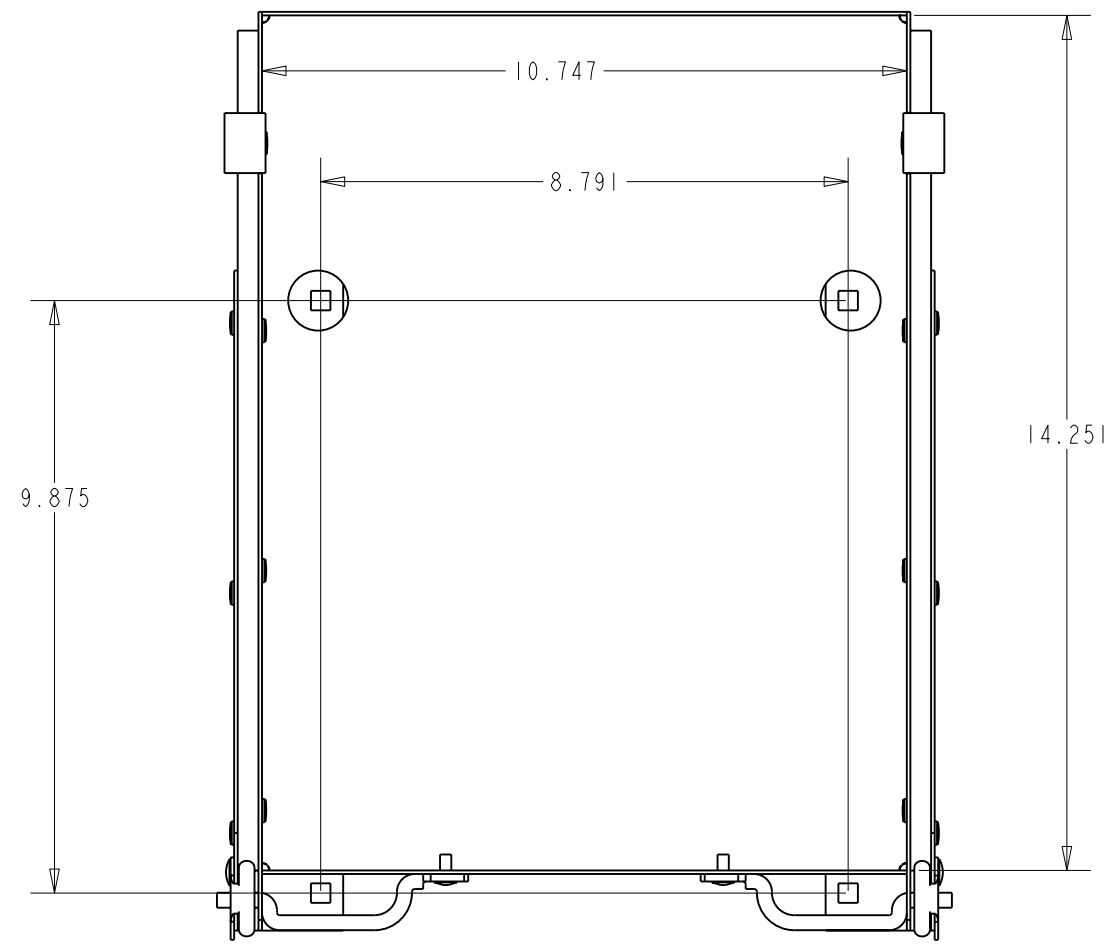


MATERIAL:	
FINISH:	POWDER COAT TO SPECIFICATIONS
WEIGHT:	7.808

SHEET 1 OF 2

SCALE 5/16

UNLESS OTHERWISE SPECIFIED DIMENSIONS ARE IN INCHES. TOLERANCES ARE:		905731000	PRODUCTION	 Third Angle Projection	 Kwikkee		
.X	±.1	BATTERY TRAYS	Release Level				
.XX	±.030	Application		Title TRAY, BATTERY STD (130 LB)	Products Company Inc. 230 Davidson Ave. Cottage Grove, OR 97424		
.XXX	±.010	Title					
FRACTIONS	±1/16	Rev	ECO No.	Date	Description	By	
ANGULAR	±.5°	DO NOT SCALE DRAWING		905731000	905731000	905731000	
		Drawn by:	RJS	Scale:	NTS	Size	B
		Checked by:		Date:	01-May-01	Drawing Number:	905731000
				Rev	1		



MATERIAL:	
FINISH:	POWDER COAT TO SPECIFICATIONS
WEIGHT:	7.808

SHEET 2 OF 2

SCALE 5/16

UNLESS OTHERWISE SPECIFIED DIMENSIONS ARE IN INCHES. TOLERANCES ARE: .X ±.1 .XX ±.030 .XXX ±.010				905731000 BATTERY TRAYS	PRODUCTION Release Level	 Third Angle Projection	 Products Company Inc. 230 Davidson Ave. Cottage Grove, OR 97424			
FRACTIONS ±1/16 ANGULAR ±.5°				Title TRAY, BATTERY STD (130 LB)						
Rev	ECO No.	Date	Description	By	DO NOT SCALE DRAWING	Drawn by: RJS	Scale: NTS	Size: B	Drawing Number: 905731000	Rev: 1
Revisions					905731000	Checked by:	Date: 01-May-01			