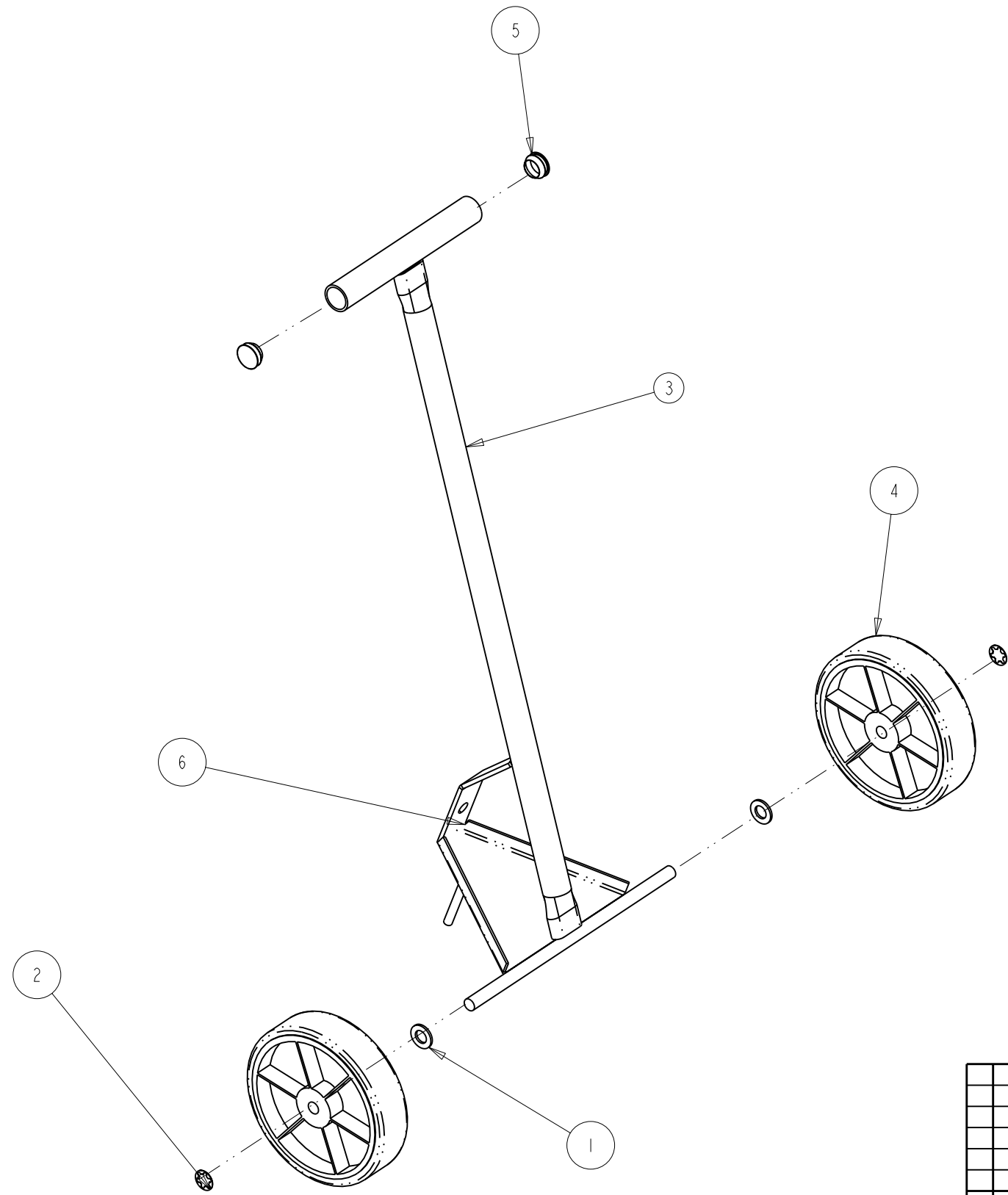


BILL OF MATERIAL						
Index	Part #	Description	QTY	UofM	Weight	Notes
1	1211200	WASHER 3/4 FLAT	2	EA	0.04	
2	1211210	WASHER 3/4 RETAINING	2	EA	0.00	
3	1414400	LABEL KWIKEE LOGO SILVER	1	EA		
4	1611150	WHEEL 10 INCH 906610 TRAILER DOLLY	2	EA	24.62	
5	1916510	PLASTIC CAP 3/4 ID FINISHING PLUG	2	EA	0.00	
6	3803400	TRAILER DOLLY ASSY PAINTED	1	EA	16.90	SO IN = 766.436
Total Weight					16.9	



MATERIAL:	N/A
FINISH:	
WEIGHT:	66.269

SHEET 1 OF 1

UNLESS OTHERWISE SPECIFIED DIMENSIONS ARE IN INCHES. TOLERANCES ARE: .X ±.1, .XX ±.030, .XXX ±.010				906610000 PRODUCTION			
FRACTIONS ±1/16, ANGULAR ±.5°				Product Release Level Application			
DO NOT SCALE DRAWING				Title TRAILER DOLLY H.D. 900LB CAP		Products Company Inc. 230 Davidson Ave. Cottage Grove, OR 97424	
Rev	ECO No.	Date	Description	By	Drawn by: KFM	Scale: NTS	Size B
Revisions				Checked by:	Date: 19-Apr-00	Drawing Number: 906610000 Rev 1	